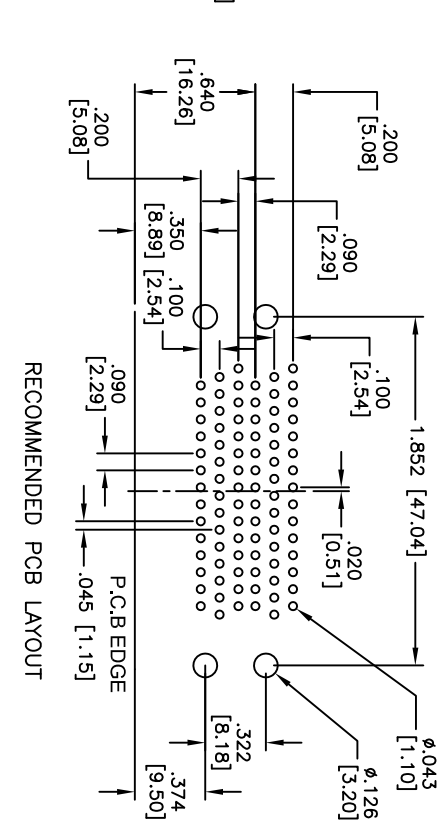
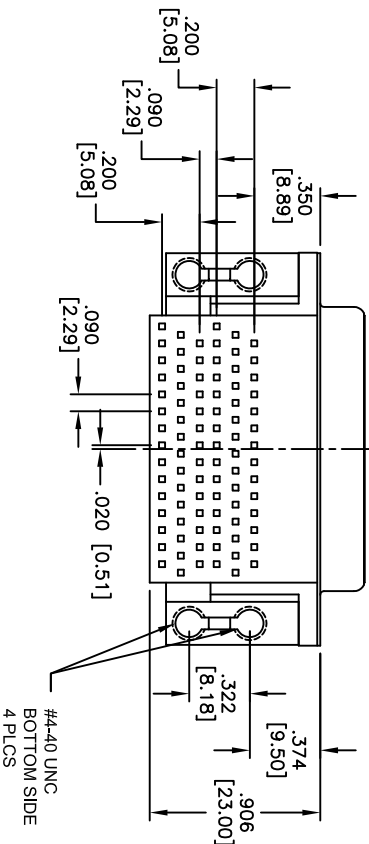
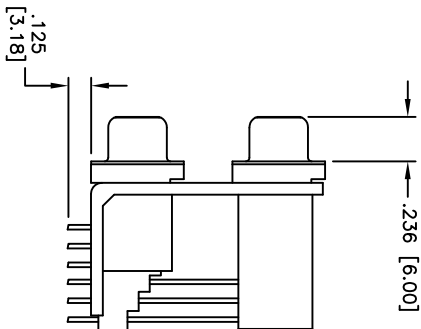
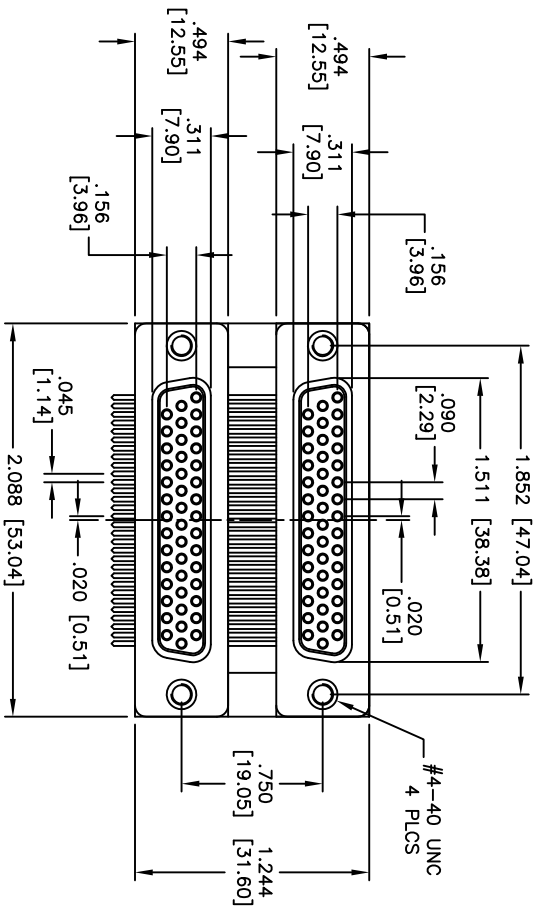


Rev	AWO #	Description	Date	Appr
-		RELEASED	6/10/09	

APPROVED: _____

DATE: _____ TITLE: _____



RECOMMENDED PCB LAYOUT

P.C.B EDGE
[2.29] [0.45] [1.15]

#4-40 UNC
BOTTOM SIDE
4 PLCS

SPECIFICATIONS:

- Material: Insulator: PBT, rated UL 94V-0
- Insulator color: Black
- Contacts: Brass
- Shell: Cold Roller Steel, Nickel plated
- Plating: Gold flash over Nickel underplate overall
- Electrical: Current rating: 3 Amps max. Contact resistance: 25 mohms max. initial Insulation resistance: 5,000 Mohms min. Dielectric withstanding voltage: 1,000 VAC for 1 minute
- Temperature Rating: Operating temperature: -55°C to +105°C
- Environmental: Lead free, RoHS compliant.
- Recommended soldering temp: 235°C for 5 sec.



ADAM TECH

909 Rahway Avenue, Union, NJ 07083
Phone: 908-687-5000 Fax: 908-687-5710

TITLE: DUAL PORT D-SUB, FEMALE / FEMALE
HD44 OVER HD44, #4-40 THREADED HOLES

SIZE: X
PART NO.: DPD-HD44-00-B2

UNLESS OTHERWISE SPECIFIED ALL DIMENSIONS ARE MILLIMETERS TOLERANCES: EXCEPT AS NOTED INCHES		APPROVALS	
.X	± 0.25		
.XX	± 0.15		
.XXX	± 0.05		
∅XX	± 0.13		
DRAWN	DY	DATE	6/10/09
CHECKED			
APPROVED			

REF: S00027T SCALE: NTS SHEET 1 OF 1